



"Quality That Pays For Itself"



**PRODUCT INDEX**

**PAGE**

Our Commitment To You .....	1
Lube Sealant Packaging .....	2
Lube Sealants and Lubricants .....	3-4
Valve Flush .....	5
Stem and Thread Compounds.....	5
Lubrication Fittings, Adapters, and Tools.....	6-8
Technical Information .....	9
Lubrication Equipment	
Hand Operated	
1000-31 (Manual Lubrication Gun) .....	10
1400 (Hydraulic Lubrication Gun) and Accessories.....	11-12
Exchange Program (Hydraulic Guns Only).....	13
"Mini-Mite" Mini Greaser.....	13
"Big Grip" Cartridge Loader .....	13
6268A-13 (Manual Lubrication Gun).....	14
Air and Electric/Hydraulic	
QS-2000A (Air/Hydraulic).....	15
QS-2200A (Electric/Hydraulic) .....	16
QS-5000 (Air/Hydraulic) .....	17
QS-5000-C (Air/Hydraulic) .....	18
Air Operated	
5-70, 10-70, 40-70 .....	19

# Our Commitment To You



"Quality That Pays For Itself"



Founded in 1962, **Val-Tex** has grown to become the preferred provider of high quality valve maintenance products worldwide.

Whether **Val-Tex** is assisting a major valve manufacturer or a utility in a small town, we take pride in helping our customers solve their valve maintenance problems.

Behind every **Val-Tex** product stands a company committed to:

- **Quality:** **Val-Tex** standard maintenance products do not contain Teflon®, clay, talc, wax, acid, caustic, or solvents that add to your valve maintenance problems.
- **Competitive Prices:** **Val-Tex** provides cost effective maintenance solutions especially when compared to the high cost of continuing valve problems and their potential safety issues.
- **Prompt Deliveries:** **Val-Tex** has a large selection of products in stock and available for immediate shipment.

In addition, the extensive technical support and training **Val-Tex** provides to you and your personnel helps maximize the value of the time and money spent on your valve maintenance program.

From the classroom to the field, from land to sub-sea applications, **Val-Tex** and a proven team of manufacturers' agents are ready to assist you worldwide.

# Valve Lube Sealant Packaging

## Bulk Lube Sealant

Bulk lube sealant provides the following advantages:

- Superior lubricity for easier valve operation
- Excellent sealing capability
- Val-Tex bulk lube sealants are available in varying viscosities
- Industry standard packaging

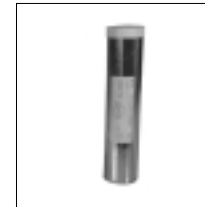
Val-Tex bulk lube sealant is packaged to fit your existing equipment. Bulk consistency is designated by the letter "S" in the part number. (ex. 80-S-10) Please refer to the chart below for detailed information.

Size	Container	Net Weight		Suggested Injection Equipment
		Lbs.	Kilos.	
10	5 quart can	10	4.53	5-70, 10-70
40	5 gallon pail	40	18.14	40-70
120	16 gallon drum	120	54.43	On Request
440	55 gallon drum	440	199.58	On Request
CT12▲	12 cartridges/carton	9	4.09	All handguns, QS-2000A, QS-2200A
P*	16 packs/carton	8	3.63	1400, QS-2000A, QS-2200A
P**	6 packs/carton	3	1.38	1400, QS-2000A, QS-2200A
P-4	4 packs/carton	16	7.27	QS-5000, QS-5000-C

\* 6 cartons per case

\*\* 8 cartons per case

▲ Cartridge loader required



CT12 (Cartridge)



40 (5 Gal.)



10 (5 Qt.)



120 (16 Gal.)



"P" Lube Pack



"P-4" Lube Pack

## Stick Lube Sealant

Stick lube sealant provides the following advantages:

- Greater sealing ability than bulk lube sealant due to its higher viscosity
- Enhanced lubricity for easier valve operation
- Val-Tex stick lube sealants offer varying viscosities
- Size J, K, and V sticks are packaged in user friendly, biodegradable cellophane wrapped sticks

Val-Tex stick lube sealant is available in a variety of stick sizes and packaging to fit your existing equipment. Please refer to the chart below for detailed information.

Stick Size	Diameter		Length		Suggested Injection Equipment	Sticks per Carton/Box	Net Weight	
	in.	mm.	in.	mm.			Lbs.	Kilos.
A	1/4	6.35	1 1/2	38.10	Lube Screw	48	-	-
B	3/8	9.53	1 1/2	38.10	Lube Screw, MM	24	-	-
C	7/16	11.11	2 1/8	53.98	Lube Screw	24	-	-
D	1/2	12.70	2 5/8	66.68	Lube Screw	24	-	-
G	5/8	15.88	3 1/2	88.90	Lube Screw	24	-	-
J*	1 3/8	34.93	8 1/2	215.90	1400, QS-2000A, QS-2200A	16	8	3.63
J**	1 3/8	34.93	8 1/2	215.90	1400, QS-2000A, QS-2200A	6	3	1.38
K*	1 1/2	38.10	10 1/2	266.70	1000-31, 6268A-13	12	8	3.63
V	4	101.60	10	254.00	QS-5000, QS-5000-C	4	20	9.07

\* 6 cartons per case

\*\* 8 cartons per case



6 Stick "J" Carton



16 Stick "J" Carton



4 Stick "V" Carton



12 Stick "K" Carton



Small Stick

# Val-Tex Lube Sealants



"Quality That Pays For Itself"

All Val-Tex lube sealants and silicone sealants are available in either stick or bulk packaging, unless otherwise noted. Please refer to page 2 for types of packaging. Call Val-Tex or your nearest Val-Tex agent with questions on applications that are not addressed in this chart.

Product	Description	Temperature Range	Color	Biodegradable	Application
40	Multi-purpose acid and caustic valve lube sealant	-10° F to 400° F -23° C to 204° C	Off-white	Yes	Developed for valves used in acid and caustic services throughout the chemical industry
50	Replaced by 750				
60	Multi-purpose valve lube sealant for general oilfield and plant services	-20° F to 400° F -28° C to 204° C	Light tan	Yes	Developed expressly for valves used in natural gas, crude oil production, X'mas tree valves, gathering systems, crude oil pipelines, and general plant services. Resistant to crude oil, distillate, and salt water.
65	Multi-purpose valve lube sealant for hydrogen sulfide and low pressure carbon dioxide service	-20° F to 350° F -28° C to 176° C	Brown	Yes	Formulated for valves used in sour gas or sour crude service (hydrogen sulfide) and/or low pressure carbon dioxide service.
75	High temperature multi-purpose valve lube sealant (contains moly-disulfide)	-20° F to 750° F -28° C to 398° C	Black	Yes	Developed for valves used in high temperature systems carrying hydrocarbons from heavy crude oils up to and including the aromatics.
80	Multi-purpose valve lube sealant for natural gas, LPG's and aromatics	-20° F to 500° F -28° C to 260° C	Amber	Yes	A proven product for natural gas that is highly resistant to mineral oils, light hydrocarbons, LPG's, and aromatics.
80-HM	Very heavy multi-purpose valve lube sealant (contains moly-disulfide)	-20° F to 500° F -28° C to 260° C	Black	Yes	Formulated to be used on well service units and storage field valves where extreme high pressures are encountered. Highly resistant to natural gas, mineral oils, light hydrocarbons, LPG's and aromatics.
85	Extra heavy multi-purpose valve lube sealant	-20° F to 500° F -28° C to 260° C	Amber	Yes	Developed to be used on storage field valves where extreme high pressures are encountered. Highly resistant to natural gas, mineral oils, light hydrocarbons, LPG's, and aromatics
700	Synthetic multi-purpose valve lube sealant with moly-disulfide	-20° F to 450° F -28° C to 232° C	Black	Yes	Excellent resistance to liquids. Suitable for natural gas, mineral oils, light hydrocarbons, LPG's, aromatics, sour gas, sour crude, CO <sub>2</sub> , gasoline, water and instrument air.
750	Special low temperature synthetic multi-purpose valve lube sealant with moly-disulfide	-50° F to 375° F -45° C to 190° C	Black	Yes	Formulated for very low temperatures. Excellent resistance to liquids. Suitable for natural gas, mineral oils, light hydrocarbons, LPG's, aromatics, sour gas, sour crude, CO <sub>2</sub> , gasoline, water and instrument air.
972	Multi-purpose valve lube sealant with moly-disulfide	-20° F to 600° F -29° C to 315° C	Black	Yes	General purpose product formulated for valves in high pressure and high temperature oil and gas service. Contains moly-disulfide to reduce operating torque.



"Quality That Pays For Itself"

# Val-Tex Lube Sealants

All Val-Tex lube sealants and silicone sealants are available in either stick or bulk packaging, unless otherwise noted. Please refer to page 2 for types of packaging. Call Val-Tex or your nearest Val-Tex agent with questions on applications that are not addressed in this chart.

Product	Description	Temperature Range	Color	Biodegradable	Application
<b>Emergency Lube Sealants: Formulated to seal badly worn ball, plug, and gate valves</b>					
80+FTFE	Emergency multi-purpose valve lube sealant with fine Teflon® particles (FTFE) ® Registered Trademark of DuPont	-20° F to 500° F -28° C to 260° C	Amber	Yes	Contains Teflon® particles in carrier oils that are resistant to most hydrocarbons. Repeated use of any TFE material is not recommended.
700+FTFE	Synthetic emergency multi-purpose valve lube sealant with fine Teflon® particles (FTFE)	-20° F to 450° F -28° C to 232° C	Black	Yes	Contains Teflon® particles in a synthetic carrier oil that is suitable for hydrocarbons, sour gas, sour crude, CO <sub>2</sub> , water, and instrument air service.
450	Emergency multi-purpose valve sealant. Available in bulk only.	50° F to 400° F 10° C to 204° C	Black	Yes	An extremely heavy sealant that does not contain Teflon®. Do not use below 50° F. Suitable for hydrocarbon service.
<b>Light Lubricants: Available in Bulk Only</b>					
2000	Synthetic valve lubricant with moly-disulfide. Ideal for commissioning of new ball valves.	-45° F to 450° F -42° C to 232° C	Black	Yes	Excellent resistance to liquids. Suitable for natural gas, mineral oils, light hydrocarbons, LPG's, aromatics, sour gas, sour crude, CO <sub>2</sub> , gasoline, instrument air, and water.
<b>Silicone Sealants</b>					
202	Silicone sealant. Available in tubes and other standard bulk packaging.	-40° F to 400° F -40° C to 204° C	White	No	Formulated for hot air, hot water, acetic acid, acetic anhydride, ethyl alcohol, CO <sub>2</sub> , and other applications suitable for silicone sealants.
302	Silicone sealant with moly-disulfide.	-40° F to 400° F -40° C to 204° C	Black	No	Developed for hot air, hot water, acetic acid, acetic anhydride, ethyl alcohol, CO <sub>2</sub> , and other applications suitable for silicone sealants where additional lubricity is required.
<b>A.P.I. Gate Valve Lubricant</b>					
PL-1000	Lubricant for A.P.I. gate valves. Used for body fill. Available in bulk only.	-10° F to 400° F -23° C to 204° C	Black	Yes	Highly resistant to crude oil, gas, and water. Formulated with non-petroleum oils to protect wellhead valves from corrosion and wear. Free of fillers. Contains moly-disulfide for lower operating torque.

# Val-Tex Valve Flush



"Quality That Pays For Itself"



## "IF THE LABEL DOESN'T SAY VAL-TEX, IT'S NOT VALVE FLUSH"

**Val-Tex Valve Flush cleans out** hardened sealants and lubricants that contain solids and / or fillers in all types of valves. This superior product is formulated using non-petroleum oils.

**Valve Flush** does not contain acid, caustic, solvent, or solids to add to your problems. Valve Flush is a safe, biodegradable, non-hazardous material. It is generally compatible with all lubricants and sealants.

**After Valve Flush** has freed your valve, follow with Val-Tex lube sealants. They are free of solids and fillers and eliminate the need for products like **Valve Flush**.

**Val-Tex Valve Flush** is available in the following packaging for use with standard valve lubrication equipment.

Part No.	Description	Weight		Suggested Injection Equipment
		Lbs.	Kilos.	
VF-CTN	4-2 lb. bottles	8	3.63	1400, QS-2000A, QS-2200A 1000-31, 6268A-13, MM
VF-GAL	1 Gallon Jug	8	3.63	QS-5000, QS-5000-C
VF-10	5 Quart Can	10	4.53	5-70, 10-70
VF-40	5 Gallon Pail	40	18.14	40-70
VF-120	16 Gallon Drum	120	54.43	On Request
VF-440	55 Gallon Drum	440	199.58	On Request

## STOP VALVE PROBLEMS BEFORE THEY START USE VAL-TEX LUBE SEALANTS

### Stem and Thread Compounds

#### 10-S Stem and Thread Lubricant - Temperature Range: 10° F to 350° F

**Superior weather resistant thread and stem lubricant** that helps to retard corrosion. Apply sparingly. Color: silver. Packaged in Zip Top Tubes, 1lb./.45 kg. cans, 10 lb./4.53 kg. cans, 40 lb./18.14 kg. pails, 120 lb./54.43 kg. drums and 440 lb./199.58 kg. drums.



#### 19-S Thread Compound - Temperature Range: 10° F to 400° F

**Seals and protects threads.** Highly resistant to corrosion. Prevents galling of threads. Ideal for stainless to stainless threads. Packaged in Zip Top Tubes, 1 lb./.45 kg. cans, 10 lb./4.53 kg. cans, 40 lb./18.14 kg. pails, 120 lb./54.43 kg. drums, and 440 lb./199.58 kg. drums.



"Quality That Pays For Itself"

# Lubrication Fittings

## Giant Buttonhead Fittings



Choose the single check for general service or double check for extra safety in high pressure applications. Available in NPT or UNC threads. Use a Val-Tex giant buttonhead coupler for lubrication.

Part Number		Thread Size
Single Check	Double Check	
SC-18	—————	1/8" NPTF
SC-14	DC-14	1/4" NPT
SC-38	DC-38	3/8" NPT
SC-12	DC-12	1/2" NPT
SC-12-BUSHED*	DC-34	3/4" NPT
—————	DC-1	1" NPT
—————	DC-58-11	5/8"-11 UNC
SC-38-16	—————	3/8"-16 UNC
—————	DC-34-10	3/4"-10 UNC

\* Includes SC-12 with 1/2"x3/4" bushing

## Combination Giant Buttonhead/Lube Screw Fittings



Tall buttonhead fittings are available in a single ball check for general service or a double ball check for extra safety in high pressure applications. Choose from NPSM (straight) or UNC threads. Use a Val-Tex giant buttonhead coupler for lubrication.

Part Number		Thread Size
Single Check	Double Check	
TSC-14	TDC-14	1/4" NPSM
TSC-38	TDC-38	3/8" NPSM
TSC-12	TDC-12	1/2" NPSM
TSC-34	TDC-34	3/4" NPSM
TSC-38-16	—————	3/8"-16 UNC
TSC-12-13	—————	1/2"-13 UNC
—————	TDC-58-11	5/8"-11 UNC
TSC-34-10	TDC-34-10	3/4"-10 UNC
—————	TDC-78-9	7/8"-9 UNC
TSC-1-10	—————	1"-10 UNC

## Vented Cap Fittings



Available in standard or Full Flow design. Both designs have a single check that provides the primary seal. The vent cap is a secondary seal and retards corrosion of the fitting face.

Used on gate valves, such as WKM and Cameron, and ball valves such as Cameron, Grove and FMC having large capped fittings. Use a Val-Tex WKM or CIW-GB adapter for lubrication.

Part Number		Thread Size
Standard	Full Flow	
CF-14	CF-14-FF	1/4" NPT
CF-38	CF-38-FF	3/8" NPT
CF-12	CF-12-FF	1/2" NPT
CF-34	CF-34-FF	3/4" NPT
CF-1	CF-1-FF	1" NPT

## Vented Cap Giant Buttonhead Fittings



Choose standard or Full Flow design. Both designs have a single check that provides the primary seal. The vent cap is a secondary seal and retards corrosion of the fitting face.

Used on gate valves, such as WKM and Cameron, and ball valves such as Cameron, Grove and FMC having large capped fittings. Use a Val-Tex WKM, CIW-GB adapter or giant buttonhead coupler for lubrication.

Part Number		Thread Size
Standard	Full Flow	
CF-14-GB	CF-14-FF-GB	1/4" NPT
CF-38-GB	CF-38-FF-GB	3/8" NPT
CF-12-GB	CF-12-FF-GB	1/2" NPT
CF-34-GB	CF-34-FF-GB	3/4" NPT
CF-1-GB	CF-1-FF-GB	1" NPT

Fittings are rated to 10,000 PSI. Body is 1215 carbon steel with a 302 stainless steel spring and chrome alloy ball unless otherwise noted. Fittings are also available in 316 stainless steel, 4140, 4130, or other materials upon request. Please contact Val-Tex or your nearest Val-Tex agent for your special requirements.

10600 FALLSTONE ROAD • HOUSTON, TEXAS 77099-4390 • ORDER 1-800-627-9771 • PHONE (281) 530-4848 • FAX (281) 530-5225 • WWW.VALTEX.COM

# Lubrication Fittings and Adapters



"Quality That Pays For Itself"

## Safety-Seal Fittings



This two piece fitting is designed with double chrome alloy ball checks and positive metal-to-metal shut-off. This assures maximum safety where high pressure and/or dangerous products are encountered. Loosen 1 1/2 turns to inject product.

Part Number	Thread Size
SS-14	1/4" NPT
SS-38	3/8" NPT
SS-12	1/2" NPT
SS-34	3/4" NPT

## Packing Injectors



Used for injection of fibrous and plastic packing into the stem area. Available with a floating ball tapered cavity or the Full Flow design. Choose from NPT or UNC threads.

Part Number		Thread Size
Floating Ball	Full Flow	
PI-14	PI-14-FF	1/4" NPT
PI-38	PI-38-FF	3/8" NPT
PI-12	PI-12-FF	1/2" NPT
PI-58-11	—————	5/8"-11 UNC
PI-34-10	—————	3/4"-10 UNC



Packing injector pressure relief tool (Part No. PI-PRT) is used to bleed pressure from the stem area. Compatible with most packing injectors with 1/2"-20 UNF I.D. threads.

## Body Bleed Fittings



Used to bleed pressure from valve bodies. The standard floating ball check is 440 stainless steel.

Part Number	Thread Size
BB-14	1/4" NPT
BB-38	3/8" NPT
BB-12	1/2" NPT
BB-34	3/4" NPT
BB-1	1" NPT
BB-125	1 1/4" NPT
BB-15	1 1/2" NPT

## Auxiliary Fittings



Used for emergency sealing of leaking giant or standard buttonhead fittings. Special features include a nylon insert to provide a durable seal for uninterrupted service and a fitting lock to prevent accidental removal. This is a reusable device.

Part Number	Application
AF-1	Giant Buttonhead Fittings
AF-2	Standard Buttonhead Fittings

## Zerk Adapter



For lubrication of all Zerk fittings using standard valve lubrication equipment. Consists of a giant buttonhead fitting to a zerk adapter.

Part Number
Zerk Adapter

Fittings are rated to 10,000 PSI. Body is 1215 carbon steel with a 302 stainless steel spring and chrome alloy ball unless otherwise noted. Fittings are also available in 316 stainless steel, 4140, 4130, or other materials upon request. Please contact Val-Tex or your nearest Val-Tex agent for your special requirements.

# Lubrication Adapters and Tools

## Lubrication Adapters

For use on gate and ball valves having various sizes of capped fittings (Cameron, WKM, Grove, etc.). Durable design includes a nipple on the stem to allow a secure connection to the fitting for uninterrupted flow of lube sealant or Valve Flush. Should the ball check in a lubrication fitting fail to reseal, these adapters can remain connected until the fitting can be replaced.

### WKM #1 / CIW #1 / CIW-GB-1



This adapter is a cost effective way to convert from a capped fitting to your gun's giant buttonhead coupler. **CAUTION:** When disconnecting, trapped pressure is relieved through a vent hole in the nut. If this is a safety concern, please see #2 style adapter below.

Part Number	Nut Size	Fitting Application
WKM #1	1"-14 UNS	Capped and G.B. Capped
CIW #1	3/4"-16 UNF	Cameron Small Capped Fitting
CIW-GB-1	1"-14 UNS	Cameron Large Capped Fitting

### WKM #2 / CIW #2 / CIW-GB-2



This adapter allows you to convert from a capped fitting to your gun's giant buttonhead coupler. Designed for maximum safety. Bleeder valve vents trapped pressure before disconnecting.

Part Number	Nut Size	Fitting Application
WKM #2	1"-14 UNS	Capped and G.B. Capped
CIW #2	3/4"-16 UNF	Cameron Small Capped Fitting
CIW-GB-2	1"-14 UNS	Cameron Large Capped Fitting

### WKM #3 / CIW #3 / CIW-GB-3



Connects directly to the 1/4" NPT male adapter on your lubrication hose assembly. This adapter allows maximum unrestricted flow when injecting any material containing TFE. Trapped pressure is relieved through a vent hole in the nut while disconnecting.

Part Number	Nut Size	Fitting Application
WKM #3	1"-14 UNS	Capped and G.B. Capped
CIW #3	3/4"-16 UNF	Cameron Small Capped Fitting
CIW-GB-3	1"-14 UNS	Cameron Large Capped Fitting

## Pressure Releasing Tool



Connects to capped fittings and giant buttonhead capped fittings to allow body cavity pressure to be vented to atmosphere. Fits 1"-14 UNS threads. Discharge port is 1/2" NPT female.

Part Number
PRT-12

## Lubrication Fitting Reference

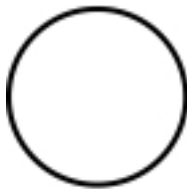


1"

To determine the thread size of your lubrication fittings, compare the thread width to the inside of the reference markings. If you have a small vent capped fitting or large vent capped fitting remove the cap and compare the exposed top of the fitting to the circles below. For accuracy, view through one eye.



3/4"



Large Capped Fitting



1/2"



Small Capped Fitting



3/8"



1/4"



1/8"

## Valve Lube Sealant Capacity In Ounces

These minimum capacities are provided by the manufacturer. Twice the minimum capacity may be required to achieve the desired result.

Size	CAMERON BALL VALVE	GROVE BALL VALVE	NORDSTROM-AUDCO-WALWORTH PLUG VALVE
1/2	-	-	1/2
3/4	-	-	1/2
1	-	-	1
1 1/2	-	-	1
2	2	-	3
3	2	-	4
4	3	-	5
6	4	3	9
8	6	3	11
10	6	4	14
12	10	4	17
14	10	4	32
16	12	5	40
18	18	5	56
20	20	8	72
22	22	10	80
24	24	10	88
26	26	12	96
28	26	13	-
30	30	14	112
32	-	14	-
34	34	15	-
36	42	16	-
38	-	16	-
40	64	18	-
42	68	18	-
48	102	22	-

When using Valve Flush it may be necessary to perform the flushing procedure twice.

## Lubrication Extension Calculation

Inside Diameter (I.D.)	1/4"	3/8"	1/2"	3/4"
Ounces Per Foot	0.5	1.3	2.0	4.0

If possible, the extension should be removed and any old hardened material should be cleared from the line and not pumped into the valve.



"Quality That Pays For Itself"

# Val-Tex 1000-31

## 10,000 P.S.I. High Pressure Screw Prime Valve Lubrication Gun



**Stick Size:** K  
**PSI Rating:** 10,000  
**Priming:** Screw Type  
**Delivery:** 1 oz. / 15 strokes

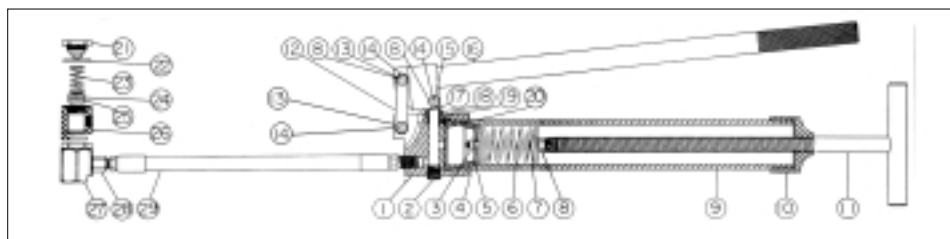
**Weight:** 13 Lbs.  
**Gauge:** Optional  
**Lube Pack Compatible:** No  
**Internal Relief Valve:** No

The Val-Tex 1000-31 lever gun accepts standard lube sealant sticks and Valve Flush. The 1000-31 is durable and easily repairable because it has few moving parts.

The standard 1000-31 is shipped as shown above, with hose center, ball bearing swivel, and giant buttonhead coupler with nylon coupler washer. Options such as high pressure hose tee, gauge, gauge guard, carrying strap, Z-swivel, various hose lengths and repair parts are available upon request.

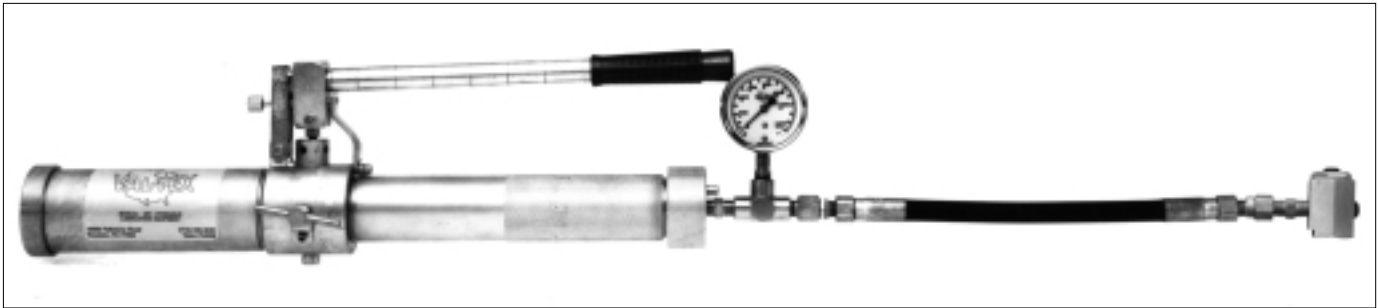
**CAUTION:** This gun is not equipped with an internal ball check in the head assembly and line pressure may bleed back into the barrel. Before removing the giant buttonhead coupler, turn the screw handle counterclockwise and raise the plunger handle to relieve pressure.

**1000-21-30:** Hose assembly complete (no gauge)  
**1000A-31G:** Gun complete with gauge assembly



Item	Part No.	Description	Item	Part No.	Description
1	1000-1	Head	20	1000-20	Head Gasket (optional)
2	1000-2	Pipe Plug	21	1000-21	Coupler Cup
3	1000-3	Nut	22	1000-22	Coupler Seal
4	1000-4	Primer Cup	23	1000-23	Coupler Spring
5	1000-5	Washer	24	1000-24	"O" Ring
6	1000-6	Primer Spring	25	1000-25	Coupler Piston
7	1000-7	Screw	26	1000-26	Coupler Body
8	1000-8	Nut	27	1000-27	Coupler Assy
9	1000-9	Barrel	28	1000-30	Swivel 7/16"-27x1/8" NPTF
10	1000-10	Collar	29	1000-29	Hose - 10"
11	1000-11	Screw Handle		<b>OPTIONS</b>	
12	1000-12	Link (2 required)		.25 TEE	High Pressure Hose Tee
13	1000-13	Link Stud (2 required)		1422	Carrying Strap
14	1000-14	Lock Nut (3 required)		15MGF	High Pressure Gauge
15	1000-15	Stripper Bolt		52752	Z-Swivel
16	1000-16	Plunger Handle		301296	High Pressure Tee Adapter
17	1000-17	Plunger		319700	Shut-off / Bleeder Valve
18	1000-18	Packing Nut		GC-250	Gauge Guard
19	1000-19	Packing			Various Hose Lengths

## 10,000 P.S.I. High Pressure Hydraulic Valve Lubrication Gun



**Lube Sealant Size:** J, P, CT12  
**PSI Rating:** 10,000  
**Priming:** Self-Priming Hydraulic  
**Delivery:** 1 oz. / 44 strokes

**Weight:** 16 Lbs.  
**Gauge:** Included  
**Lube Pack Compatible:** Yes  
**Internal Relief Valve:** Yes

The **Val-Tex 1400** is a rugged, light weight unit that is self priming and can be used in any position. Pressure is easily relieved by turning the by-pass valve one and one half revolutions allowing the coupler to be removed from the grease fitting. The hydraulic system is equipped with an internal hydraulic relief to provide maximum safety in the event an operator continues to pump after the gun has been depleted of lube sealant.

The **standard 1400** shipped as shown above, comes complete with lube pack adapter, hose tee, 15,000 P.S.I. 2 1/2 inch liquid filled stainless steel gauge, ball bearing swivel, hose center, and giant buttonhead coupler with nylon coupler washer. Options such as gauge guard, carrying strap, Z-swivel, 1/4 turn shutoff / bleeder valve, and variable hose lengths are available upon request. Repair kits are also available. Parts are interchangeable with most manufacturer's guns.

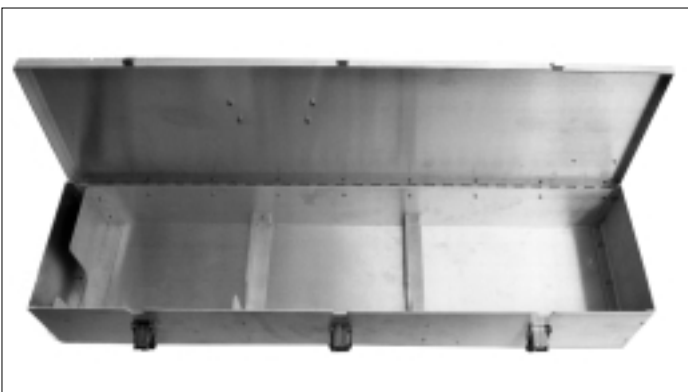
**Special features** include a slip link to help prevent damage due to over extension of the pump piston, handle latch assembly to protect the pump piston when the gun is not in use, graduated handle with one ounce markings to eliminate guesswork and waste during injection, and a special adapter for Lube Packs.

**Consult** the maintenance manual that is enclosed with every **Val-Tex 1400** for troubleshooting and repair procedures.

**Warning:** Use only UCON-500 hydraulic fluid in the gun. Do not carry the **1400** hydraulic gun by the handle.

**Exchange Program** for hydraulic lubrication guns is available. See page 13 for details.

## Lubrication Gun Accessories



For maximum protection of your **hydraulic lubrication gun**, this **Gun Case** is constructed of easy to clean, durable aluminum with heavy-duty latches and carrying handle.

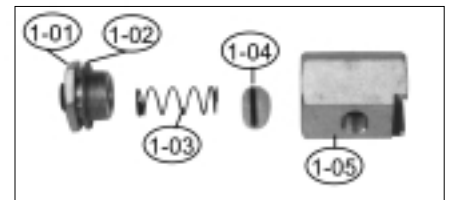
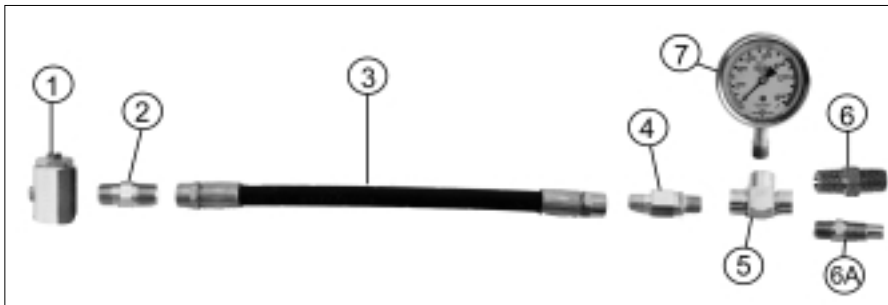
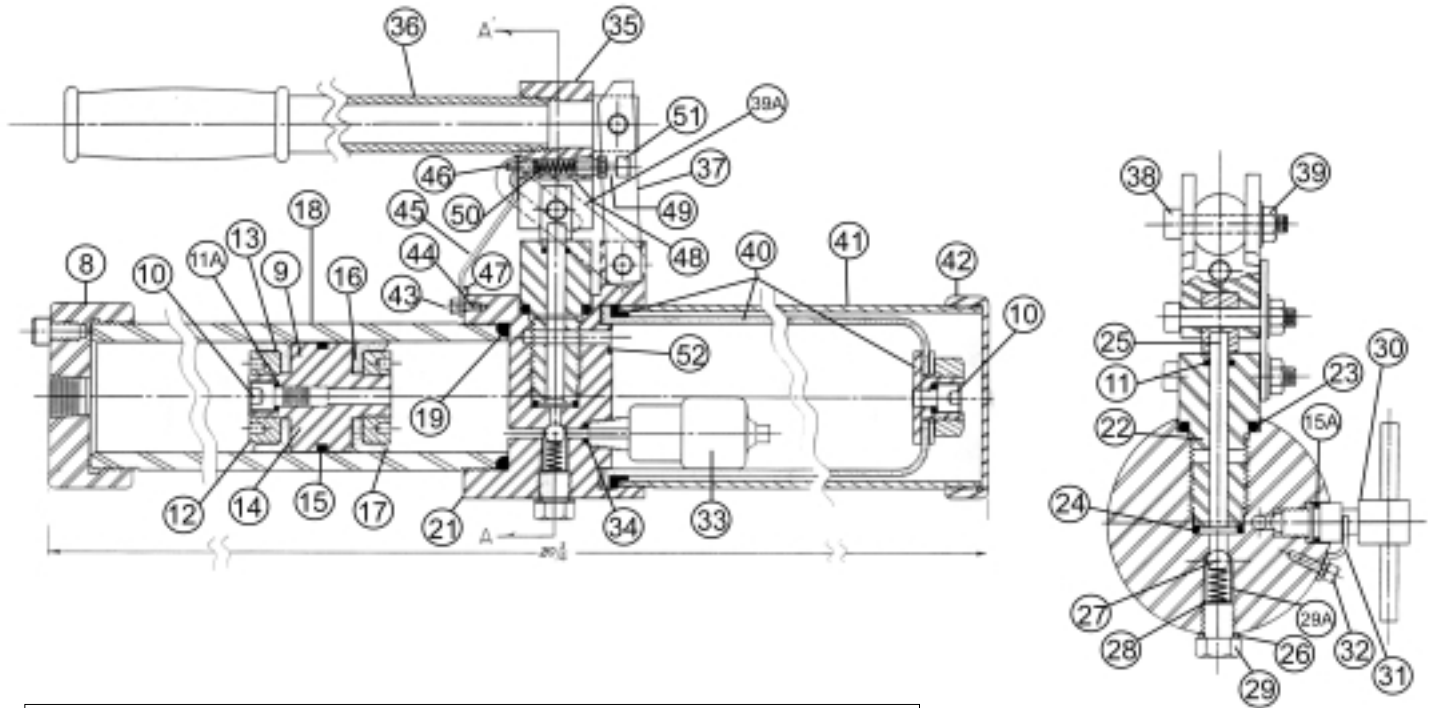


The **Val-Tex GC-250 Gauge Guard** is a wise investment to protect your gauge. It fits a 2 1/2" bottom mount gauge, which is standard on most Val-Tex equipment. The easy to install GC-250's tough construction provides impact resistance for the entire gauge. A UV resistant material helps to prevent the Gauge Guard from cracking due to exposure to the sun.

# Val-Tex 1400



"Quality That Pays For Itself"



Refer to page 13 for more information on the Hydraulic Gun Exchange Program

Item No.	Part No.	Description
1	6	Giant Buttonhead Coupler
1-01	6-C	Cap
1-02	6-G	Gasket
1-03	6-S	Spring
1-04	5N	Nylon Washer
1-05	6-B	Body
2	43379	No. 6 G.B. Coupler Adapter
3	20	Hose Center Only
4	16-D	H.P. Ball Bearing Swivel
5	.25 TEE	High Pressure Hose Tee
6	301296	Hose Tee Adapter
*6A	1420	Lube Pack Adapter
7	15MGF	High Pressure Gauge
8	1407	Grease Barrel Cap
9	1408	Piston Assembly
10	1408-A	Cap Screw 1/4" -28NF
▲+ 11	1408-B	O-ring 70-010
▲+ 11A	1408-BA	Copper Washer
12	1408-C	Outer Washer Nut
*12A	1421	Outer Washer Nut for Lube Pack
▲+ 13	1408-D	Outer Hydraulic Cup
14	1408-E	Piston
▲+ 15	1408-F	O-ring 6227-24
▲+ 15A	1408-G	O-ring 70-012

Item No.	Part No.	Description
▲+ 16	1408-H	Inner Hydraulic Cup
17	1408-I	Inner Washer Nut
18	1409	Grease Barrel
▲+ 19	1410	O-ring 6227-9
20	1411	Body Assy. Items 21-34
21	1411-A	Body
▲+ 22	1411-B	Hydraulic Pump Cylinder
▲+ 23	1411-C	O-ring 6227-15
▲+ 24	1411-D	O-ring 6227-10
25	1411-E	Pump Piston
26	1411-FA	Washer 1/4" X 1/32"
▲+ 27	1411-FB	Ball 1/4" Ø
28	1411-FC	Spring
29	1411-FD	Check Valve Screw
29A	1411-FE	Filter Screen
30	1411-G	By-Pass Valve Assy.
31	1411-H	By-Pass Stop
32	1411-I	Cap Screw No. 8-32NC
33	1411-J	Internal Hydraulic Relief
▲+ 34	1411-K	O-ring 6227-3
35	1412	Fulcrum Assembly
36	1413	Handle
37	1414-A	Links (2)
38	1414-B	Stripper Bolt

Item No.	Part No.	Description
39	1414-C	Lock Nut
39A	1414-D	Stop Link
▲+ 40	1415	Fluid Bag, Seal Ring, Bleeder Assy.
41	1416	Fluid Bag Barrel
42	1417	Fluid Bag Barrel Cap
43	1418-A	Cap Screw
44	1418-B	Latch Sleeve
45	1418-C	Latch Arm
46	1418-D	Retaining Ring
47	1418-E	Spring
48	1418-F	Latch Screw
49	1418-G	Stem & Knob Assembly
50	1418-H	Spring
51	1418	Latch Assembly - Items 43-50
52	1419	Filter Screen
<b>OPTIONS</b>		
▲	UCON-500	Quart of Hydraulic Fluid
	CTLOADER	"Big Grip" Cartridge Loader
	GC-250	Gauge Guard
	GUN CASE	Hydraulic Gun Case
	1422	Carrying Strap
	319700	Shut-Off / Bleeder Valve
	52752	Z-Swivel
		Various Hose Lengths

\* Items 6A and 12A to be used to convert older guns to use Lube Packs  
 ▲ Kit #1  
 + Kit #2

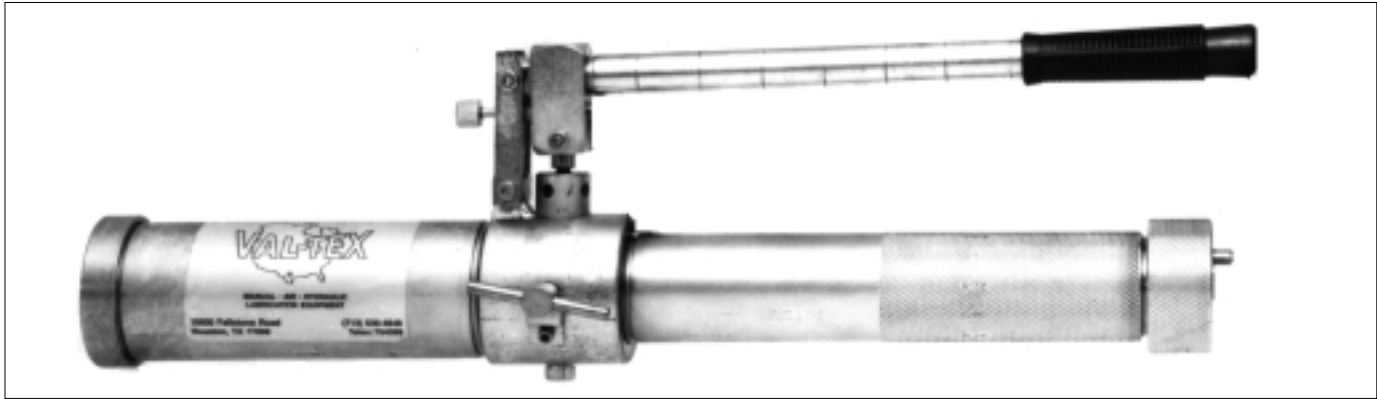
10600 FALLSTONE ROAD • HOUSTON, TEXAS 77099-4390 • ORDER 1-800-627-9771 • PHONE (281) 530-4848 • FAX (281) 530-5225 • WWW.VALTEX.COM

# Hydraulic Lubrication Gun Exchange Program



"Quality That Pays For Itself"

## Reconditioned Hydraulic High Pressure Valve Lubrication Gun



**Lube Sealant Size:** J, P, CT12  
**PSI Rating:** 10,000  
**Priming:** Self-Priming Hydraulic  
**Delivery:** 1 ounce / 44 strokes

**Weight:** 14 Lbs.  
**Gauge:** Not included  
**Lube Pack Compatible:** Yes  
**Internal Relief Valve:** Yes

**Exchanging a gun** is quick, easy and inexpensive. Val-Tex maintains a large stock of reconditioned hydraulic guns ready for immediate exchange. Details about the exchange program are as follows:

- All brands of hydraulic guns accepted
- Covers all internal parts and replating
- Rapid turnaround
- Free estimates on parts not covered
- Base price does not include external parts, hose assembly, or gauge

**After receipt**, your hydraulic gun will be promptly inspected and you will be advised of the total charges. Prior to your authorization for exchange, your original gun can be returned. After getting your approval, Val-Tex will send you a replated, reconditioned gun that has passed our stringent quality control inspection.

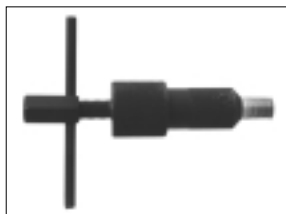
**Replacement** gauge, hose assembly parts, and accessories are also available upon request. (See page 12 for parts)

## “Mini-Mite” Mini Greaser

The “Mini-Mite” allows you to quickly inject “B” size sticks into stop cock valves. Features include:

- Easy loading
- Sturdy construction
- Multi-use handle

The unit is also available with a hose (MM-1) or with hose and giant buttonhead coupler (MM-1-27).



## “Big Grip” Cartridge Loader

The “Big Grip” Cartridge Loader makes it easier and more convenient to load cartridges of lube sealant and lubricant. It is designed for use with the Val-Tex 1400, QS-2000A, and QS-2200A lubrication guns.

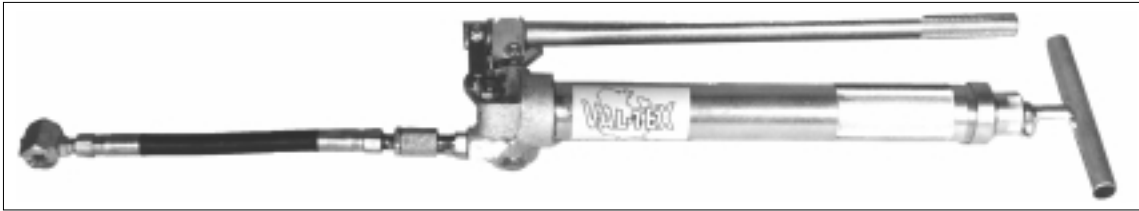




"Quality That Pays For Itself"

# Val-Tex 6268A-13

## 15,000 P.S.I. High Pressure Screw Prime Valve Lubrication Gun

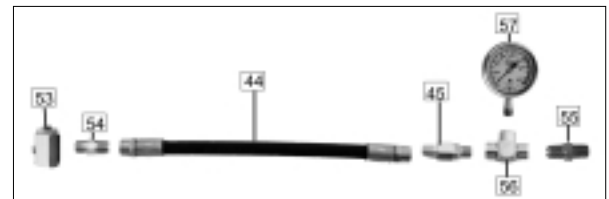
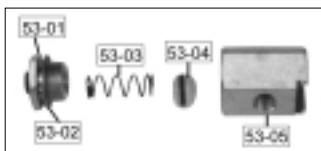
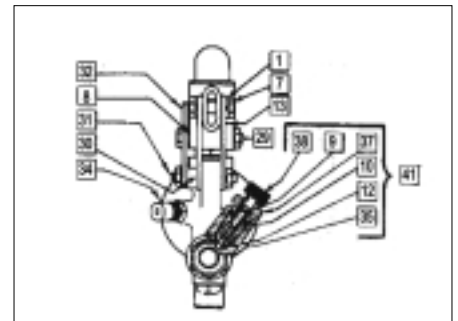
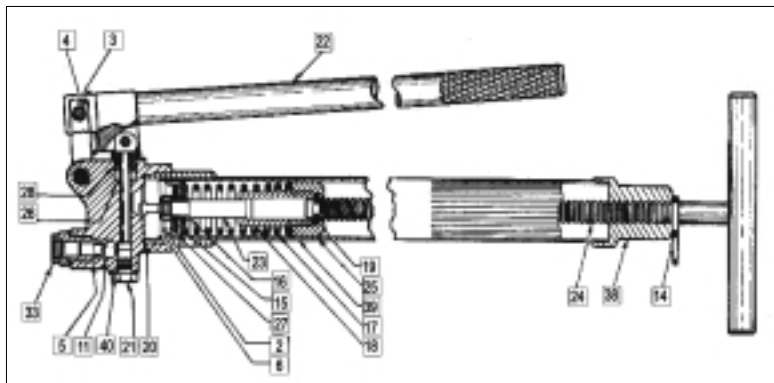


**Stick Size:** K  
**PSI Rating:** 15,000  
**Priming:** Manual  
**Delivery:** 1oz. / 24 strokes

**Weight:** 17 Lbs.  
**Gauge:** Optional  
**Lube Pack Compatible:** No  
**Internal Relief Valve:** No

The Val-Tex 6268A-13 lever gun injects Valve Flush and all types of lube sealant, from heavy to light viscosities with equal ease. Extra heavy duty barrel assures maximum safety and long life. The 6268A-13 accepts all standard lube sealant sticks. Standard features include extra long handle for maximum leverage, mechanical screw and spring primer to assure positive prime and a pressure relief screw for ease in disconnecting.

The standard 6268A-13 shipped as shown above, comes complete with ball bearing swivel, hose center, and a giant buttonhead coupler with nylon coupler washer. Options such as high pressure hose tee, gauge, gauge guard, carrying strap, Z-swivel, 1/4 turn shutoff / bleeder valve, various hose lengths, and repair parts are available upon request.



6268A-13-G: Gun complete with hose assembly and gauge

Item No.	Part No.	Description
1	12369	Lockwasher, 1/4" O.D.
2	17615	Lockwasher, External Tooth
3	52312	Bushing, 1/2" long
4	52313	Link Pin, 1-13/64" long
*5	54845	Washer, Copper 11/16" O.D.
6	77783	Nut, Hex 3/8-16
7	77795	Nut, Hex Jam 1/4"-20
8	79236	Washer, Steel, 17/32" O.D.
*9	171000-5	"O" Ring, 3/8 O.D.
*10	171009-1	"O" Ring, 9/16" O.D.
*11	171700-28	Ball, Check Valve, 7/16" Dia.
*12	313899	Gasket, 5/16" O.D.
13	316802	Link
14	316803	"S" Hook
15	316804	Washer, 1-1/4" O.D.
*16	316805	Bushing and Washer Assembly
17	316807	Spring, 3-3/8" Long
18	316808	Sleeve
19	316809	Split Ring, 15/16" O.D. (Approx.)
*20	316812	Gasket, 2" O.D. (Approx.)
21	316813	Plug, 7/16-20

Item No.	Part No.	Description
22	316815	Lever Assembly
23	316819	Screw, Shoulder
24	316825	Handle & Screw Assembly
25	316827	Nut, Retaining 1-19/32" O.D.
*26	316828	Packing
*27	316829	Cup Hydraulic, 1-5/8" O.D.
28	316834	Screw, Packing
29	317396	Pin, Piston
*30	317397	Spacer
31	317398	Pin, Link
32	317399	Piston Stop
33	319352	Adapter
34	322610	Loader Valve Assembly
35	G-327603	Piston & Cylinder Head Assembly
*36	327605	Screw, Valve
37	327606	Body, Valve
38	328211	Cylinder Cap
39	328212	Cylinder
40	380794	Gasket 5/8" O.D. (Approx.)
41	394113	Piston, Head and Valve Assembly
44	20	Hose Center

Item No.	Part No.	Description
45	16	H.P. Ball Bearing Swivel
49	5N	Nylon Coupler Washer
52	13	Complete Hose Assembly
53	6	Giant Buttonhead Coupler
53-01	6-C	Cap
53-02	6-G	Gasket
53-03	6-S	Spring
53-04	5N	Nylon Washer
53-05	6-B	Body
54	43379	#6 G.B. Coupler Adapter
<b>OPTIONS</b>		
55	301296	High Pressure Tee Adapter
56	.25TEE	High Pressure Hose Tee
57	15MGF	High Pressure Gauge
	GC-250	Gauge Guard
	1422	Carrying Strap
	319700	Shut-off / Bleeder Valve
	394117	Repair Kit
	52752	Z-Swivel
		Various Hose Lengths

\* Included in 394117



"Quality That Pays For Itself"

# Val-Tex "Quick Stick" QS-2000A

## Air / Hydraulic Lubrication Gun

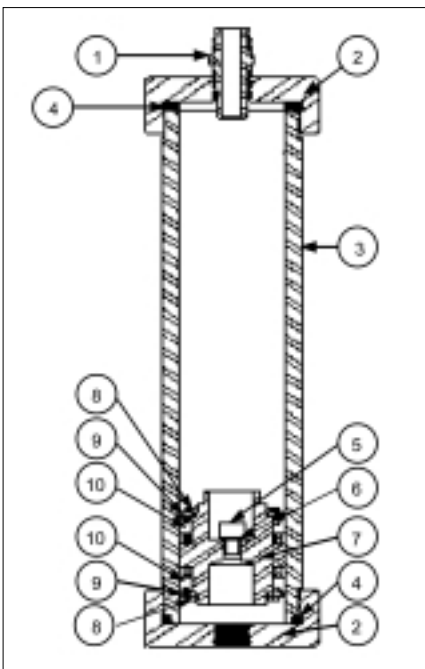
**Delivery:** 8 ounces / 30-60 seconds  
**Weight:** 32 Lbs.  
**Lube Sealant Size:** J, P, CT12  
**PSI Rating:** 10,000  
**Overall Dimensions:** 20" H X 11" W X 17" L  
**Priming:** Self-Priming Air / Hydraulic  
**CFM Required:** 9  
**Air Pressure Required:** 75 - 100 PSI  
**Pressure Delivered through a 6 foot hose at 100 PSI:**  
     **Lube Sealant - 8,000 PSI**  
     **Valve Flush - 10,000 PSI**  
**Gauge:** Included  
**Lube Pack Compatible:** Yes  
**Internal Relief Valve:** Yes



The easy to operate Val-Tex QS-2000A is a fast, affordable, compact, rugged lubrication unit. The lightweight QS-2000A is easily portable and pumps lube sealant sticks, Lube Packs, and Valve Flush. The unit comes complete with a six foot, 3/8 inch I.D. high pressure hose, 15,000 PSI gauge, Gauge Guard, dual swivels, and a giant buttonhead coupler. The hydraulic pump requires only periodic maintenance and has an internal safety relief valve set at approximately 10,000 PSI to prevent over pressuring the unit.

### Options available:

- Unit available with sealant barrel to fit K size lube sealant sticks (Part # QS-2000A-K).
- Air regulator (8607) rated to 3,000 PSI and gauge (2052L160) rated to 160 PSI. **Be sure to refer to your company's policies before using anything other than compressor air for your power source.**
- Sealant hose lengths up to 10 feet. We do not recommend hoses longer than 10 feet because of the output pressure drop.
- Moisture separator (5604-2) and airline lubricator (5904-2) for protection of the pump.



Part No.	Item#	Description	Qty.
QS-2001A		Frame	1
PA-133		Hydraulic Pump - 9 CFM	1
328030		Air Coupler	1
328034		Air Coupler Nipple	1
2016		Grease Hose Assembly	1
		Consists of:	
1420	1	Lube Pack Adapter	1
	6	Giant Buttonhead Coupler	1
1/4 CPLG		1/4" x 1/4" Coupling	1
321320		1/4" x 1/4" Straight Swivel	1
.25 TEE		1/4" Tee	1
15MGF		15,000 PSI Gauge	1
GC-250		Gauge Guard	1
43379		Adapter 1/4" X 1/2-27	1
20638		6' X 3/8" HP Hose	1
52752		1/2"-27 X 1/4" Z-Swivel	1
2017A		Hydraulic Line Assembly	1
2018		Grease Barrel Assembly	1
		Consists of:	
1407	2	Grease Barrel Cap	2
1409-R	3	Grease Barrel	1
1410	4	O-ring	2

Part No.	Item#	Description	Qty.
2008		Piston Assembly	1
		Consists of:	
1408-A	5	Cap Screw	1
1408-BA	6	Copper Washer	1
2008-1	7	Piston Body	1
2008-2	8	Snap Ring	2
2008-3	9	Retaining Ring	2
2008-4	10	Upper and Lower Seal Set	2
<b>OPTIONS</b>			
2019		Air Regulator Assembly	
		Consists of:	
8607		Air Regulator	1
2052L160		0-160 PSI Gauge	1
319700		Shut-Off / Bleeder Valve	1
5604-2		Moisture Separator	1
5904-2		Airline Lubricator	1
HF101		1 Gallon Hydraulic Fluid	1
		Various Hose Lengths	



"Quality That Pays For Itself"

# Val-Tex QS-2200A

## Electric / Hydraulic Lubrication Gun

**Delivery:** 8 ounces / 30-60 seconds  
**Weight:** 40 Lbs.  
**Lube Sealant Size:** J, P, CT12  
**PSI Rating:** 10,000  
**Overall Dimensions:** 20" H X 13" W X 17" L  
**Priming:** Self-Priming Electric / Hydraulic  
**Pressure Delivered through a 6 foot hose at 100 PSI:**  
     **Lube Sealant -** 8,000 PSI  
     **Valve Flush -** 10,000 PSI  
**Gauge:** Included  
**Lube Pack Compatible:** Yes  
**Internal Relief Valve:** Yes

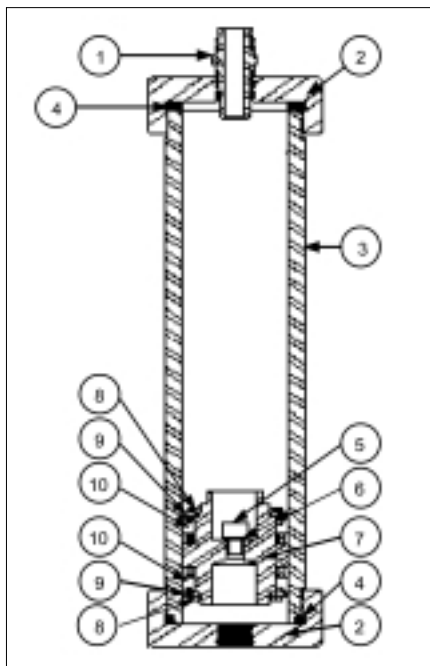


The easy to operate Val-Tex QS-2200A is a fast, compact, rugged lubrication unit. Run by a rechargeable battery powered hydraulic pump, the QS-2200A gives you complete mobility and eliminates the need for an air supply. It is suitable for use with J size lube sealant sticks, Lube Packs, cartridges, and Valve Flush.

The unit comes complete with a six foot, 3/8 inch I.D. high pressure hose, 15,000 PSI gauge, Gauge Guard, dual swivels, and a giant buttonhead coupler. The hydraulic pump requires only periodic maintenance and has an internal safety relief valve set at approximately 10,000 PSI to prevent over pressuring the unit.

### Options available:

- Unit available with sealant barrel to fit K size lube sealant sticks (Part # QS-2200A-K).
- Sealant hose lengths up to 10 feet. We do not recommend hoses longer than 10 feet because of the output pressure drop.



Part No.	Item#	Description	Qty.
QS-2001A		Frame	1
PR102		Electric/Hydraulic Pump-12 Volt DC	1
BP212VQ		12 Volt Battery w/ 115 Volt Charger Case	1
QS-2001A-EPLATE		Mounting Plate	1
328030		Air Coupler	
328034		Air Coupler Nipple	1
2016		Grease Hose Assembly	1
		Consists of:	
1420	1	Lube Pack Adapter	1
6		Giant Buttonhead Coupler	1
1/4 CPLG		1/4"x1/4" Coupling	1
321320		1/4"x1/4" Straight Swivel	1
.25 TEE		1/4" Tee	1
15MGF		15,000 PSI Gauge	1
GC-250		Gauge Guard	1
43379		Adapter 1/4"x1/2-27	1
20638		6'x3/8" HP Hose	1
52752		12"-27x1/4" Z-Swivel	

Part No.	Item#	Description	Qty.
2017A		Hydraulic Line Assembly	1
2018		Grease Barrel Assembly	1
		Consists of:	
1407	2	Grease Barrel Cap	2
1409-R	3	Grease Barrel	1
1410	4	O-ring	2
2008		Piston Assembly	1
		Consists of:	
1408-A	5	Cap Screw	1
1408-BA	6	Copper Washer	1
2008-1	7	Piston Body	1
2008-2	8	Snap Ring	2
2008-3	9	Retaining Ring	2
2008-4	10	Upper and Lower Seal Set	1
1413		Handle	1
.25x.375 BSHG		1/4"x3/8" Bushing	1
<b>OPTIONS</b>			
319700		Shut-Off/Bleeder Valve	1
5040		1 Gallon Hydraulic Fluid	1
RB12V		Replacement Battery	1
		Various Hose Lengths	

10600 FALLSTONE ROAD • HOUSTON, TEXAS 77099-4390 • ORDER 1-800-627-9771 • PHONE (281) 530-4848 • FAX (281) 530-5225 • WWW.VALTEX.COM

# Val-Tex "Quick Stick" QS-5000



"Quality That Pays For Itself"

## Air / Hydraulic Lubrication Gun

**Delivery:** 8 oz. / 30-60 seconds  
**Weight:** 180 Lbs.  
**Lube Sealant Size:** V, P-4  
**PSI Rating:** 10,000  
**Overall Dimensions:** 44" H X 23" W X 31" L  
**Priming:** Self-Priming Air / Hydraulic  
**CFM Required:** 20  
**Air Pressure Required:** 75 - 100 PSI  
**Pressure Delivered through a 10 foot hose at 100 PSI:**  
     **Lube Sealant - 8,000 PSI**  
     **Valve Flush - 10,000 PSI**  
**Gauge:** Included  
**Lube Pack Compatible:** Yes  
**Internal Relief Valve:** Yes

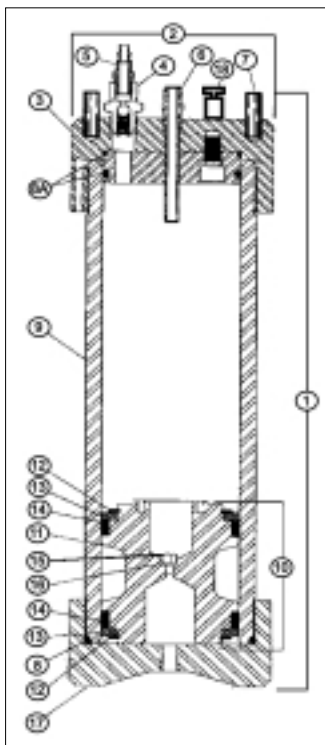


The Val-Tex QS-5000 is a fast, versatile, heavy duty lubrication unit that will pump large volumes of stick lube sealant, Lube Packs, and Valve Flush. The QS-5000 has the largest stick lube sealant capacity in the valve lubrication industry. The Val-Tex five pound V-stick, four pound P-4 Lube Pack, and the one gallon Valve Flush (VF-GAL) are designed to drastically reduce the frequency of loading.

The QS-5000's four inch pneumatic tires allow the unit to be maneuvered easily by one person. The rugged sealant cap wrench has 16 ounce graduations to let the operator control the amount of material being loaded. The unit comes complete with a 10 foot, 3/8 inch I.D. high pressure hose, quarter turn shut-off / bleeder valve, 15,000 PSI gauge, Gauge Guard, dual swivels, and giant buttonhead coupler. The hydraulic pump requires only periodic maintenance and has an internal safety relief valve set at approximately 10,000 PSI to prevent over-pressuring the unit.

### Options Available

- Metal reservoir for the hydraulic pump (5030)
- Sight glass modification to the metal hydraulic pump reservoir allows the operator to monitor the amount of material being pumped. Also available as a modification to QS-5000's in the field.
- Air regulator (8607) rated for 3,000 PSI input and gauge (2052L160) rated to 160 PSI. **Be sure to refer to your company's policies before using anything other than compressor air for your power source.**
- Moisture separator (5604-2) and airline lubricator (5904-2) for protection of the pump.



The QS-5M-SUBSEA configuration is available for underwater lubrication of valves. The large capacity cylinder allows a diver to lubricate multiple valves without having to reload the unit. The QS-5M-SUBSEA includes a complete cylinder assembly (5001A), sealant hose assembly (5016), hydraulic pump, and hydraulic hose with quick disconnects. Please call Val-Tex to discuss special requirements or configurations.

Part No.	Item No.	Description	Qty.
5001A	1	Cylinder Assembly Complete	1
5001A-1	2	Sealant Cap Assembly Complete	1
5001A-1A	3	Sealant Cap	1
5001-1B	4	Air Return Fitting	1
328034	5	Air Quick Disconnect-Male	1
5001A-1C	6	Lube Pack Extension	1
5001-1D	7	Dowel Pin	6
5001-1E	8	Hydraulic End Cap O-ring	1
5001A-1F	8A	Sealant Cap O-rings	1
5001A-2	9	Cylinder Body	1
5001-3	10	Piston Assembly Complete	1
		Consists of:	
5001-3A	11	Piston Body	1
5001-3B	12	Snap Ring	2
5001-3C	13	Piston Seal Retainer	2
5001-3D	14	Upper & Lower Seal Sets	2
1408-A	15	Cap Screw Bleeder 5/16"-24NF	1
1408-BA	16	Copper Washer	1
5001A-4	17	Hydraulic End Cap	1
BB-12	18	1/2" NPT Body Bleed Fitting	1
5002		Hydraulic Hose Assembly	
		Consists of:	
5002-1		Hydraulic Fluid Hose	1
5002-2		45 Degree Elbow Adapter	1
5012		PA6-2 Hydraulic Pump	1
328030		Air Quick Disconnect (F)	1

Part No.	Description	Qty.
328034	Air Quick Disconnect (M)	1
5016	Sealant Hose Assembly	1
	Consists of:	
6	Giant Buttonhead Coupler	1
321320	Straight Swivel 1/4" X 1/4"	1
15MGF	15,000 PSI Gauge	1
GC-250	Gauge Guard	1
.25 TEE	1/4" Tee	1
38-120	Hose - 10' X 3/8"	1
331107	High Pressure Z-Swivel	1
319700	Shut-off / Bleeder Valve	1
1/4 IN CPLG	1/4"X1/4" Coupling	1
5020	Cart	
	Consists of:	
5020-1	Sealant Cap Wrench	1
5020-2	Control Lever	1
5020-3	Pneumatic Tire	2
5020-4	Handle Grips - 1"	3
SC-14	1/4" G.B. Lube Fitting	1
<b>OPTIONS</b>		
2052L160	0-160 PSI Gauge	1
5030	Metal Reservoir	1
5030-SG	Metal Reservoir w/ Sight Glass	1
5040	Hydraulic Fluid - 128 ounces	1
5031	Mounting Kit for 5030	1
8607	Air Regulator	1

10600 FALLSTONE ROAD • HOUSTON, TEXAS 77099-4390 • ORDER 1-800-627-9771 • PHONE (281) 530-4848 • FAX (281) 530-5225 • WWW.VALTEX.COM



"Quality That Pays For Itself"

# Val-Tex QS-5000-C

## Air / Hydraulic Lubrication Gun

- Delivery:** 8 oz. / 30-60 seconds
- Weight:** 153 Lbs.
- Lube Sealant Size:** V, P-4
- PSI Rating:** 10,000
- Overall Dimensions:** 46" H X 20" W X 26" L
- Priming:** Self-Priming Air / Hydraulic
- CFM Required:** 20
- Air Pressure Required:** 75 - 100 PSI
- Pressure Delivered through a 10 foot hose at 100 PSI:**
  - Lube Sealant - 8,000 PSI**
  - Valve Flush - 10,000 PSI**
- Gauge:** Included
- Lube Pack Compatible:** Yes
- Internal Relief Valve:** Yes

**EASIER TO TRANSPORT  
SAME LARGE CAPACITY**



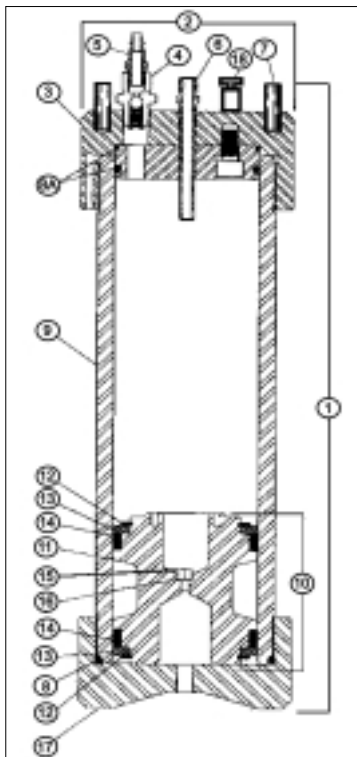
The Val-Tex **QS-5000-C** is a compact, easy to transport, fast, versatile, heavy duty lubrication unit that will pump large volumes of stick lube sealant, lube packs, and Valve Flush. The **QS-5000-C** is quickly separated into two parts by removing the cylinder for easy loading and unloading by one person. Assembly is as simple as inserting the two catch pins to secure the cylinder clamps to the frame.

The **QS-5000-C** has the largest stick lube sealant capacity in the valve lubrication industry. The Val-Tex five pound V-stick, four pound P-4 Lube Pack, and one gallon Valve Flush (VF-GAL) are designed to drastically reduce the frequency of loading.

The **QS-5000-C's** four inch pneumatic tires allow the unit to be maneuvered easily by one person. The rugged sealant cap wrench has 16 ounce graduations to allow the operator to control the amount of material being loaded. The unit comes complete with a 10 foot, 3/8 inch I.D. high pressure hose, quarter turn shut-off / bleeder valve, 15,000 PSI gauge, Gauge Guard, dual swivels, giant buttonhead coupler, and metal hydraulic fluid reservoir. The hydraulic pump requires only periodic maintenance and has an internal safety relief valve set at approximately 10,000 PSI to prevent over-pressuring.

### Options Available

- Sight glass modification to the metal hydraulic pump reservoir allows the operator to monitor the amount of material being pumped.
- Air regulator (8607) rated for 3,000 PSI input and gauge (2052L160) rated to 160 PSI. **Be sure to refer to your company's policies before using anything other than compressor air for your power source.**
- Moisture separator (5604-2) and airline lubricator (5904-2) for protection of the pump.



Part No.	Item No.	Description	Qty.
5001A	1	Cylinder Assembly Complete	1
5001A-1	2	Sealant Cap Assembly Complete	1
5001A-1A	3	Sealant Cap	1
5001-1B	4	Air Return Fitting	1
328034	5	Air Quick Disconnect-Male	1
5001A-1C	6	Lube Pack Extension	1
5001-1D	7	Dowel Pin	6
5001-1E	8	Hydraulic End Cap O-ring	1
5001A-1F	8A	Sealant Cap O-rings	1
5001A-2	9	Cylinder Body	1
5001-3	10	Piston Assembly Complete	1
		Consists of:	
5001-3A	11	Piston Body	1
5001-3B	12	Snap Ring	2
5001-3C	13	Piston Seal Retainer	2
5001-3D	14	Upper & Lower Seal Sets	2
1408-A	15	Cap Screw Bleeder 5/16"-24NF	1
1408-BA	16	Copper Washer	1
5001A-4	17	Hydraulic End Cap	1
BB-12	18	1/2" NPT Body Bleed Fitting	1
5002-1-C		Hydraulic Hose Assembly	1
HQD-14-N-M		Hyd. Quick Disc. Nipple 1/4" (M)	1
HQD-14-C		Hyd. Quick Disc. Coupler 1/4" (F)	1
PA-6-M-2		Hydraulic Pump - Metal Reservoir	1
328030		Air Quick Disconnect (F)	1

Part No.	Description	Qty.
328034	Air Quick Disconnect (M)	1
5016	Sealant Hose Assembly	1
	Consists of:	
6	Giant Buttonhead Coupler	1
321320	Straight Swivel 1/4" X 1/4"	1
15MGF	15,000 PSI Gauge	1
GC-250	Gauge Guard	1
.25 TEE	1/4" Tee	1
38-120	Hose - 10' X 3/8"	1
331107	High Pressure Z-Swivel	1
319700	Shut-off / Bleeder Valve	1
1/4 IN CPLG	1/4"X1/4" Coupling	1
5020-C	Compact Cart	
	Consists of:	
5020-1-C	Sealant Cap Wrench	1
MINI-QS-5000	Compact Cart	1
5020-3	Pneumatic Tire	2
5020-4	Handle Grips - 1"	3
SC-14	1/4" G.B. Lube Fitting	1
<b>OPTIONS</b>		
2052L160	0-160 PSI Gauge	1
5035	O Shaped Sight Glass	1
5040	Hydraulic Fluid - 1 Gallon	1
8607	Air Regulator	1

10600 FALLSTONE ROAD • HOUSTON, TEXAS 77099-4390 • ORDER 1-800-627-9771 • PHONE (281) 530-4848 • FAX (281) 530-5225 • WWW.VALTEX.COM

# Val-Tex Air Operated Lubrication Equipment



"Quality That Pays For Itself"

**These powerful, portable,** air operated lubrication guns have a 70:1 ratio air motor to quickly pump bulk lube sealants and Valve Flush. A special follower plate and spring assures positive priming. All units come equipped with a 15,000 PSI gauge, Gauge Guard, dual swivels, control handle, 10 foot, 3/8 inch I.D. high pressure grease hose and whip end hose with giant buttonhead coupler. The units are fully automated with no manual activation required.

**NOTE:** When pumping Valve Flush, remove the follower plate.

## Common Features

**Delivery:** 1/16 ounce per stroke

**PSI Rating:** 8,000

**Self Priming:** Spring loaded follower plate

**CFM Required:** 6

**Air Pressure Required:** 125 to 185 PSI

**Typical Pressure Delivered through a 10 foot hose at 150 PSI:**

**Lube Sealant - 8,000 PSI**

**Valve Flush - 8,000 PSI**

**Gauge:** Included

**Internal Relief Valve:** No

## "L'il Greaser" - Model 5-70

The carrying handle makes this compact, portable gun ideal for tight places, overhead lubrication, and easy transporting around the field. The enclosed sealant canister keeps dirt and foreign material out.

**For Use With:** 5 qt. / 10 lb. can

**Dimensions:** 25" high X 10" width

**Approximate weight:** 50 lbs. / 22.68 kg.



## "Easy Lube" - Model 10-70

Caddy type cart with large rubber tired wheels assures easy maneuverability. The enclosed sealant canister keeps dirt and foreign material out.

**For Use With:** 5 qt. / 10 lb. can

**Dimensions:** 43" high X 18" wide X 28" long

**Approximate Weight:** 76 lbs. / 34.47 kg.



## "Easy Lube" - Model 40-70

A practical gun for servicing a large number of valves. The reversible pail adapter provides uninterrupted flow. The swing type dolly mounted on rubber tired wheels keeps the container upright at all times. The enclosed sealant canister keeps dirt and foreign materials out. Heavy duty latches keep the lid secure.

**For Use With:** 5 gal. / 40 lb. pail

**Dimensions:** 37" high X 19" wide X 24" long

**Approximate Weight:** 78 lbs. / 35.38 kg.

